



www.Source1Parts.com

**TM8V SERIES 80% TWO STAGE (ECM)VARIABLE SPEED
MULTI - POSITION 33" NATURAL GAS FURNACES
WITH COMMUNICATIONS, INCLUDES LO-NOX TMLV (STYLE A)**

HVAC SERVICE PARTS

Supersedes: 035-23653-001 Rev. A (0513)

035-23653-001 Rev. B (1015)

1 of 4

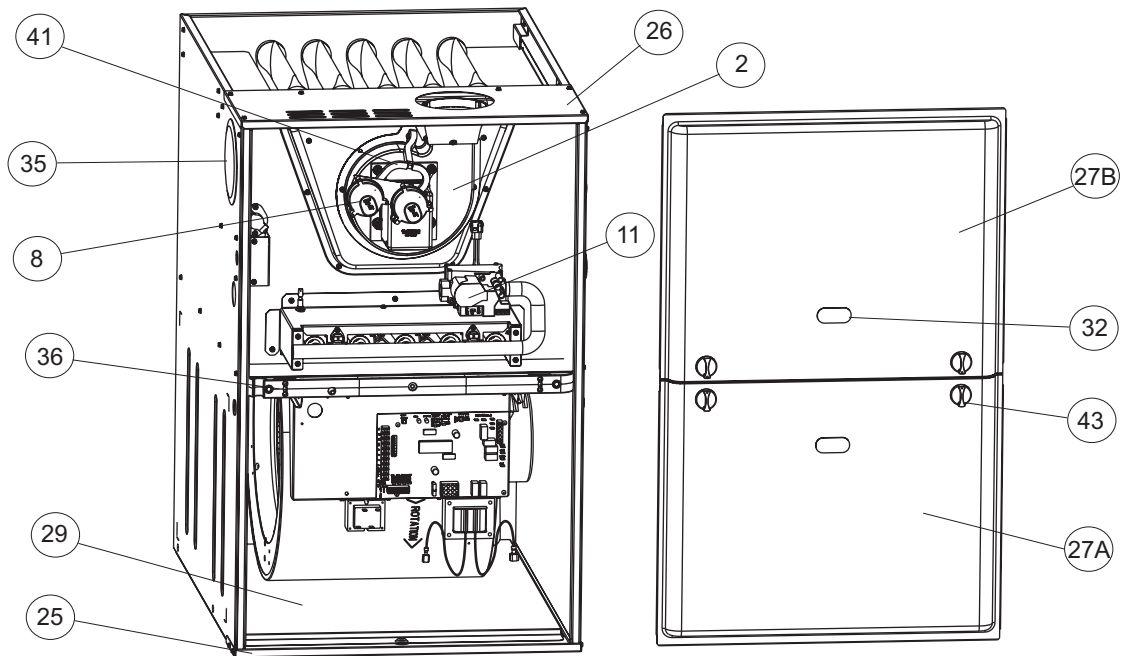


Figure 1: 80% TWO STAGE VARIABLE SPEED MULTI-POSTION NATURAL GAS FURNACES<

FIG	ITEM	DESCRIPTION	TM8V060A12MP11CA	TM8V080B12MP11CA	TM8V080C16MP11CA
			TMLV060A12MP11CA	TMLV080B12MP11CA	TMLV080C16MP11CA
			(3 BURNER)	(4 BURNER)	(4 BURNER)
MOTOR					
2	1	MOTOR, BLOWER, PROGRAMMED ECM	S1-32436073354	S1-32436073355	S1-32436074356
		MOTOR, BLOWER, UNPRGRMD ECM, LESS MOD	S1-02436073000	S1-02436073000	S1-02436074000
*	1A	MODULE, CONTROL, PROGRAMMED	S1-32436079354	S1-32436079355	S1-32436080356
		MODULE CONTROL, UNPROGRAMMED	S1-02436079000	S1-02436079000	S1-02436080000
1,2	2	BLOWER, COMBUSTION	S1-02645747000	S1-02645747000	S1-02645747000
ELECTRICAL					
2	3	KIT, ECM CHOKE	---	---	S1-02435605000
2	4	SWITCH, LIMIT(250 Deg Man Reset,2 Req'd)	S1-02541318000	S1-02541318000	S1-02541318000
2	5	CONTROL, FURNACE	S1-33103012000	S1-33103012000	S1-33103012000
3	6	IGNITER	S1-02545231000	S1-02545231000	S1-02545231000
3	7	SENSOR, FLAME	S1-02537499000	S1-02537499000	S1-02537499000
1,2	8	SWITCH, PRESSURE	S1-02435903000	S1-02435903000	S1-02435903000
2	9	SWITCH, DOOR	S1-02435738000	S1-02435738000	S1-02435738000
2	10	TRANSFORMER	S1-2940A3541	S1-2940A3541	S1-2940A3541
1,3	11	VALVE, GAS	S1-02538915000	S1-02538915000	S1-02538915000
2	12	CONTROL, TEMPERATURE	S1-02541321000	S1-02541321000	S1-02541321000
*	13	PLUG, ID	S1-02543278000	S1-02545262000	S1-02545263000
	14				
AIR MOVING					
2	15	HOUSING, BLOWER	S1-37327824001	S1-37327824001	S1-37327824002
2	16	WHEEL, BLOWER	S1-02619654709	S1-02619654709	S1-02619654014

NOTE: *Not Shown

New replacement parts shown in **bold** face type at the first printing of parts list dated 10/15.

Major components and suggested stocking items are shown with shaded item number.

"<" Across from row indicates a change in that row.Changed part numbers are in red.

--- Not applicable to specified model.



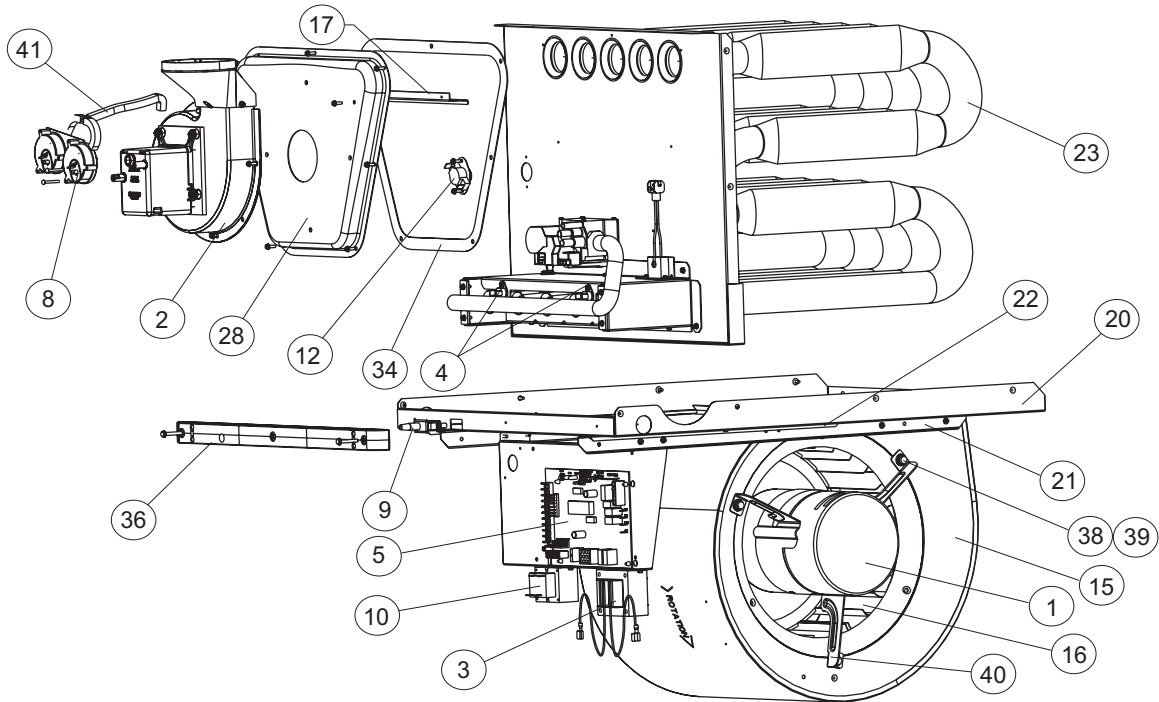


Figure 2: 80% TWO STAGE VARIABLE SPEED MULTI-POSITION NATURAL GAS FURNACES

FIG	ITEM	DESCRIPTION	TM8V060A12MP11CA	TM8V080B12MP11CA	TM8V080C16MP11CA
			TMLV060A12MP11CA (3 BURNER)	TMLV080B12MP11CA (4 BURNER)	TMLV080C16MP11CA (4 BURNER)
FABRICATED PARTS					
2	17	BAFFLE, FLUE	S1-07327911001	S1-07327829003	S1-07327829003
3	18	BURNER, MAIN GAS	S1-02920482000	S1-02920482000	S1-02920482000
	19				
2	20	SHELF, BLOWER	S1-07327823001	S1-07327823002	S1-07327823003
2	21	RAIL, BLOWER (2 Req'd)	S1-07327825001	S1-07327825001	S1-07327825001
2	22	BRACKET, BLOWER TRACK (2 Req'd)	S1-07327825002	S1-07327825002	S1-07327825002
2	23	HEAT EXCHANGER ASS'Y	S1-37327830002	S1-37327830003	S1-37327830005
3	24	MANIFOLD, GAS	S1-02924467000	S1-02924468000	S1-02924468000
1	25	PAN, BOTTOM	S1-07327841001	S1-07327841002	S1-07327841003
1	26	PANEL, TOP	S1-07327828001	S1-07327828002	S1-07327828003
1	27A	PANEL, DOOR (Lower)	S1-37327822001	S1-37327822002	S1-37327822003
1	27B	PANEL, DOOR (Upper)	S1-37339423001	S1-37339423002	S1-37339423003
1,2	28	VENT PAN, COMBUSTION (w/Gasket)	S1-07327826001	S1-07327826001	S1-07327826001
1	29	PANEL, BLOCKOFF	S1-07327827001	S1-07327827002	S1-07327827003
*	30	LO-NOX SCREEN (L-Models Only)	S1-02635452000	S1-02635452000	S1-02635452000
MISCELLANEOUS					
3	31	ORIFICE, BURNER (Natural #45)	S1-02921182045	S1-02921182045	S1-02921182045
1	32	SIGHT GLASS, OVAL (2 Req'd)	S1-02538899000	S1-02538899000	S1-02538899000
*	33	GASKET, FOAM (Door) (per ft.)	S1-02815517000	S1-02815517000	S1-02815517000
2	34	GASKET, INTAKE PAN	S1-02815510000	S1-02815510000	S1-02815510000
1	35	PLUG, VENT HOLE	S1-02815516000	S1-02815516000	S1-02815516000
1,2	36	BRACKET, DOOR	S1-02815512000	S1-02815513000	S1-02815514000
*	37	WIRING HARNESS, 2-STAGE	S1-02545261000	S1-02545261000	S1-02545261000
2	38	FERRULE (3 Req'd)	S1-02320541000	S1-02320541000	S1-02320541000
2	39	GROMMET (3 Req'd)	S1-02814740000	S1-02814740000	S1-02814740000
2	40	MOTOR MOUNT (Includes item 38 & 39)	S1-37319831002	S1-37319831002	S1-37319831002
1	41	HOSE, PRESSURE SWITCH	Included w/Item #8	Included w/Item #8	Included w/Item #8
*	42	DIAGRAM, WIRING	1034865	1034865	1034865
1	43	KNOB, QUARTER TURN (4 Req'd)	S1-02924485000	S1-02924485000	S1-02924485000
*	44	HARNESS, VARIABLE SPEED	S1-02543283000	S1-02543283000	S1-02543283000
*	45	HARNESS, ECM POWER CHOKE	S1-02541462000	S1-02541462000	S1-02541462000

NOTE: *Not Shown
 New replacement parts shown in **bold** face type at the first printing of parts list dated 10/15.
 Major components and suggested stocking items are shown with shaded item number.
 *← Across from row indicates a change in that row. Changed part numbers are in red.
 --- Not applicable to specified model.

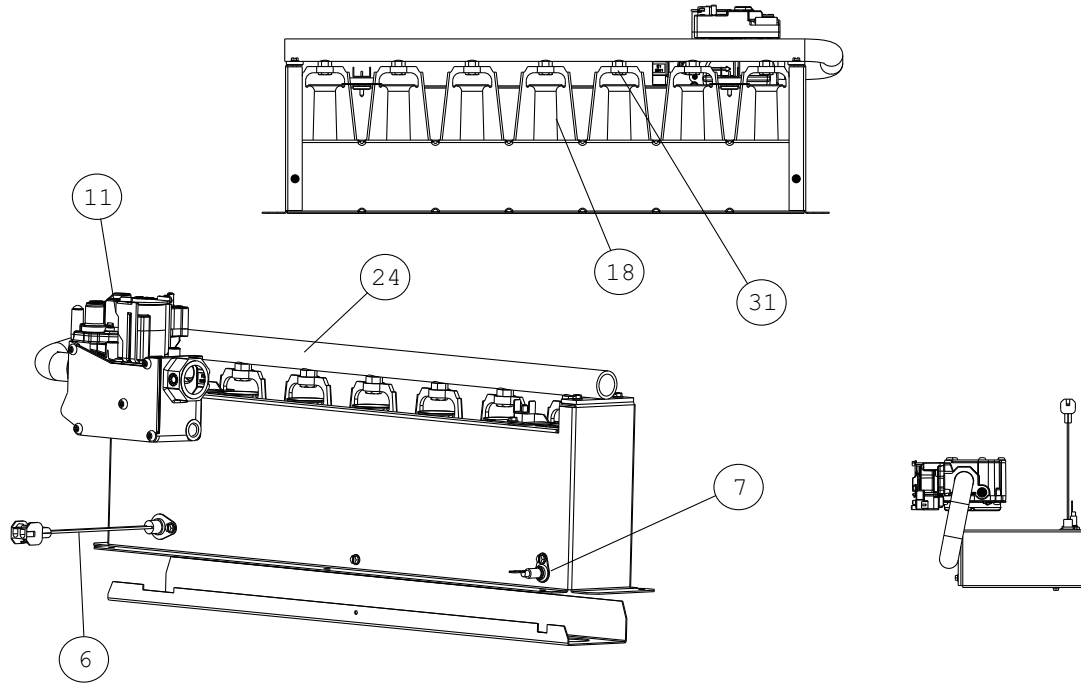


Figure 3: GAS CONTROLS

FIG	ITEM	DESCRIPTION	TM8V100C16MP11CA	TM8V100C20MP11CA	TM8V120C20MP11CA
			TMLV100C16MP11CA (5 BURNER)	TMLV100C20MP11CA (5 BURNER)	TMLV120C20MP11CA (6 BURNER)
MOTOR					
2	1	MOTOR, BLOWER, PROGRAMMED ECM	S1-32436074357	S1-32436074358	S1-32436074359
		MOTOR, BLOWER, UNPRGRMD ECM, LESS MOD	S1-02436074000	S1-02436074000	S1-02436074000
*	1A	MODULE, CONTROL, PROGRAMMED	S1-32436080357	S1-32436081358	S1-32436081359
		MODULE CONTROL, UNPROGRAMMED	S1-02436080000	S1-02436081000	S1-02436081000
1,2	2	BLOWER, COMBUSTION	S1-02645748000	S1-02645748000	S1-02645748000
ELECTRICAL					
2	3	KIT, ECM CHOKE	S1-02435605000	S1-02435604000	S1-02435604000
2	4	SWITCH, LIMIT (250 Deg Man Reset,2 Req'd)	S1-02541318000	S1-02541318000	S1-02541318000
2	5	CONTROL, FURNACE	S1-33103012000	S1-33103012000	S1-33103012000
3	6	IGNITER	S1-02545231000	S1-02545231000	S1-02545231000
3	7	SENSOR, FLAME	S1-02537499000	S1-02537499000	S1-02537499000
1,2	8	SWITCH, PRESSURE	S1-02435903000	S1-02435903000	S1-02435903000
2	9	SWITCH, DOOR	S1-02435738000	S1-02435738000	S1-02435738000
2	10	TRANSFORMER	S1-2940A3541	S1-2940A3541	S1-2940A3541
1,3	11	VALVE, GAS	S1-02538915000	S1-02538915000	S1-02538915000
2	12	CONTROL, TEMPERATURE	S1-02541321000	S1-02541321000	S1-02541321000
*	13	PLUG, ID	S1-02545264000	S1-02545265000	S1-02545266000
	14				
AIR MOVING					
2	15	HOUSING, BLOWER	S1-37327824002	S1-37327824003	S1-37327824003
2	16	WHEEL, BLOWER	S1-02619654014	S1-02638510000	S1-02638510000

NOTE: *Not Shown

New replacement parts shown in **bold** face type at the first printing of parts list dated 10/15.

Major components and suggested stocking items are shown with shaded item number.

"<" Across from row indicates a change in that row. Changed part numbers are in red.

--- Not applicable to specified model.



FIG	ITEM	DESCRIPTION	TM8V100C16MP11CA	TM8V100C20MP11CA	TM8V120C20MP11CA
			TMLV100C16MP11CA	TMLV100C20MP11CA	TMLV120C20MP11CA
			(5 BURNER)	(5 BURNER)	(6 BURNER)
FABRICATED PARTS					
2	17	BAFFLE, FLUE	S1-07327921001	S1-07327921001	S1-07327829006
3	18	BURNER, MAIN GAS	S1-02920482000	S1-02920482000	S1-02920482000
	19				
2	20	SHELF, BLOWER	S1-07327823003	S1-07327823003	S1-07327823003
2	21	RAIL, BLOWER (2 Req'd)	S1-07327825001	S1-07327825001	S1-07327825001
2	22	BRACKET, BLOWER TRACK (2 Req'd)	S1-07327825002	S1-07327825002	S1-07327825002
2	23	HEAT EXCHANGER ASS'Y	S1-37327830006	S1-37327830006	S1-37327830007
3	24	MANIFOLD, GAS	S1-02924469000	S1-02924469000	S1-02924470000
1	25	PAN, BOTTOM	S1-07327841003	S1-07327841003	S1-07327841003
1	26	PANEL, TOP	S1-07327828003	S1-07327828003	S1-07327828003
1	27A	PANEL, DOOR (Lower)	S1-37327822003	S1-37327822003	S1-37327822003
1	27B	PANEL, DOOR (Upper)	S1-37339423003	S1-37339423003	S1-37339423003
1,2	28	VENT PAN, COMBUSTION (w/Gasket)	S1-07327826001	S1-07327826001	S1-07327826002
1	29	PANEL, BLOCKOFF	S1-07327827003	S1-07327827003	S1-07327827003
*	30	LO-NOX SCREEN (L-Models Only)	S1-02635452000	S1-02635452000	S1-02635452000
MISCELLANEOUS					
3	31	ORIFICE, BURNER (Natural #45)	S1-02921182045	S1-02921182045	S1-02921182045
1	32	SIGHT GLASS, OVAL (2 Req'd)	S1-02538899000	S1-02538899000	S1-02538899000
*	33	GASKET, FOAM (Door) (per ft.)	S1-02815517000	S1-02815517000	S1-02815517000
2	34	GASKET, INTAKE PAN	S1-02815510000	S1-02815510000	S1-02815511000
1	35	PLUG, VENT HOLE	S1-02815516000	S1-02815516000	S1-02815516000
1,2	36	BRACKET, DOOR	S1-02815514000	S1-02815514000	S1-02815514000
*	37	WIRING HARNESS, 2-STAGE	S1-02545261000	S1-02545261000	S1-02545261000
2	38	FERRULE (3 Req'd)	S1-02320541000	S1-02320541000	S1-02320541000
2	39	GROMMET (3 Req'd)	S1-02814740000	S1-02814740000	S1-02814740000
2	40	MOTOR MOUNT (Includes item 38 & 39)	S1-37319831002	S1-37319831002	S1-37319831002
1	41	HOSE, PRESSURE SWITCH	Included w/Item #8	Included w/Item #8	Included w/Item #8
*	42	DIAGRAM, WIRING	1034865	1034865	1034865
1	43	KNOB, QUARTER TURN (4 Req'd)	S1-02924485000	S1-02924485000	S1-02924485000
*	44	HARNESS, VARIABLE SPEED	S1-02543283000	S1-02543283000	S1-02543283000
*	45	HARNESS, ECM POWER CHOKE	S1-02541462000	S1-02541462000	S1-02541462000

NOTE: *Not Shown

New replacement parts shown in **bold** face type at the first printing of parts list dated 10/15.

Major components and suggested stocking items are shown with shaded item number.

"<" Across from row indicates a change in that row. Changed part numbers are in red.

--- Not applicable to specified model.

TO ORDER AUTHORIZED FACTORY REPLACEMENT PARTS - Contact your Source1 HVAC Parts Distributor or visit our website at www.Source1Parts.com for a Distributor and Dealer listing.